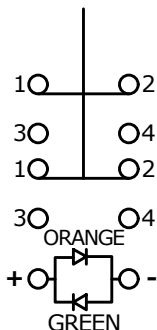
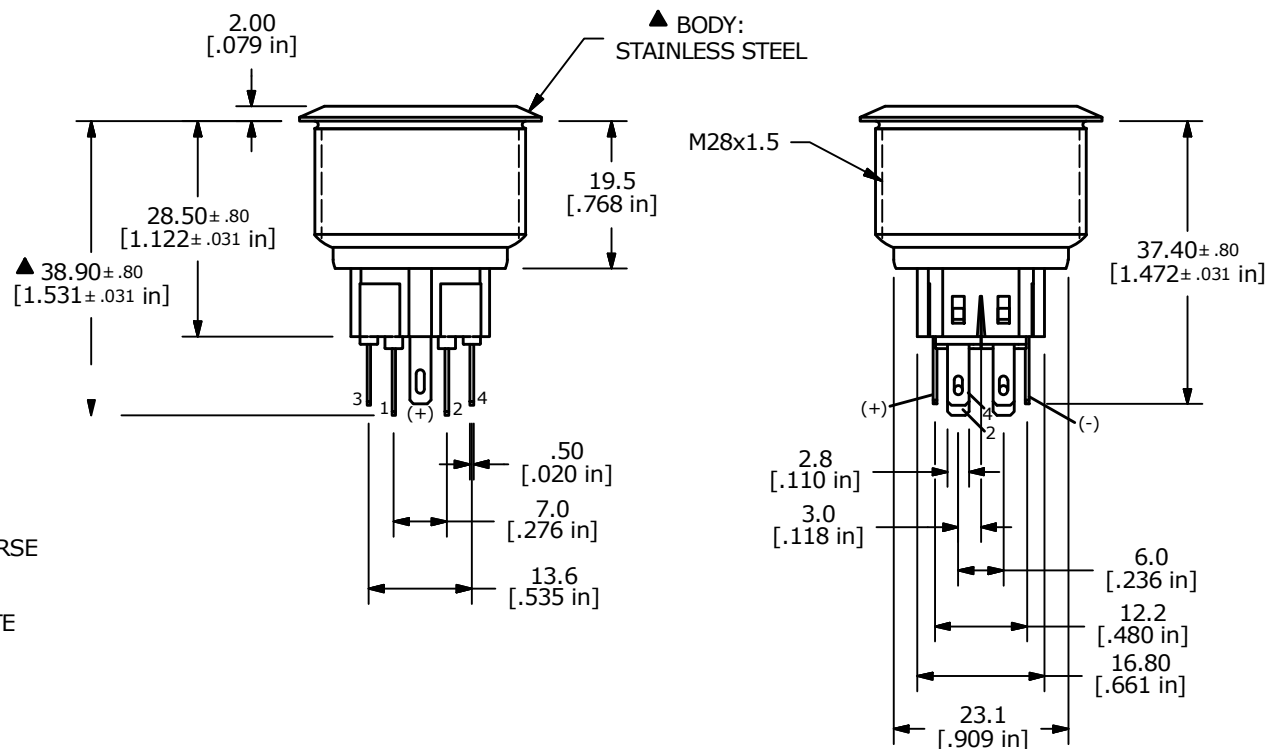


SWITCH FUNCTION	
POS. 1	POS. 2
1-2	3-4



▲ DPDT ON-(ON)
CONTACT CONFIGURATION
() DENOTES MOMENTARY



- NOTE:
- ALL DIMENSIONS IN MM [INCH]
 - GENERAL TOLERANCE: X.X = ± 0.4
X.XX = ± 0.25
 - TERMINAL NOS. FOR REF. ONLY
 - FUNCTION: DPDT
 - RATING: 2A @ 48VDC
 - ILLUMINATION VOLTAGE: 1.8V FORWARD, 2.8V REVERSE
 - CONTACT RESISTANCE: 50mΩ MAX. @ 1A 12VDC
 - INSULATION RESISTANCE: 1,000MΩ @ 500VDC
 - DIELECTRIC STRENGTH: 2,000VAC MIN. FOR 1 MINUTE
 - ELECTRICAL LIFE: 50,000 CYCLES
 - OPERATING TEMPERATURE: -20°C TO 55°C
 - INGRESS PROTECTION: IP66
 - SUPPLIED HARDWARE: O-RING AND HEXNUT
 - ▲ DENOTES CRITICAL PARAMETER
 - ILLUMINATION COLOR: ORANGE (FORWARD), GREEN (REVERSE)



REV	PCR NO	DESCRIPTION	DATE	BY
B	23838	UPDATED RATING TO IP66	4/8/19	MJR
A	21833	RELEASE FOR PRODUCTION	4/17/15	MW

TITLE PV9F2V0SS-3K1				
SCALE 1:1	DATE 4/17/2015	DR MW	DWG 52-PV9F2V0SS3K1	REV B

THE INFORMATION CONTAINED IN THIS DOCUMENT IS PROPRIETARY TO E-SWITCH AND IS NOT TO BE COPIED OR TRANSFERRED